



# TRITON 2- PERSON 1000 FT SUBMERSIBLE



## Specifications

- ABS +1 Manned Submersible
- Cayman Registry of Shipping
- 450 lbs. 205 kg payload
- 1000 ft. 305 m depth
- 3 kts. Speed
- 2 crew
- 132 lbs. 60 kg variable ballast
- 3080 lbs. 1400 kg main ballast
- 5 kWh 24 v battery
- 12.6 kWh 120 v battery
- 2 x 2.7 hp 2 x 2 KW main thrusters
- 2 x 2.7 hp 2x 2 KW vertrans thrusters
- 10 hours operation
- PLC based touch screen control
- 4 forward 1 rear 1 down LED external lights
- Oxygen with CO2 scrubber life support
- 10 hours main oxygen at 200 bar
- 96 hours reserve oxygen at 200 bar
- 2 x 17 liter main air at 200 bar
- 2 x 17 liter reserve air at 200 bar
- 10.5 ft. 3.2 m length
- 8.2 ft. 2.5 m width
- 6.1 ft. 1.85 m height
- 6800 lbs. 3100 kg weight
- 19.7 in 500 mm hatch I.D.
- Manipulator Arm

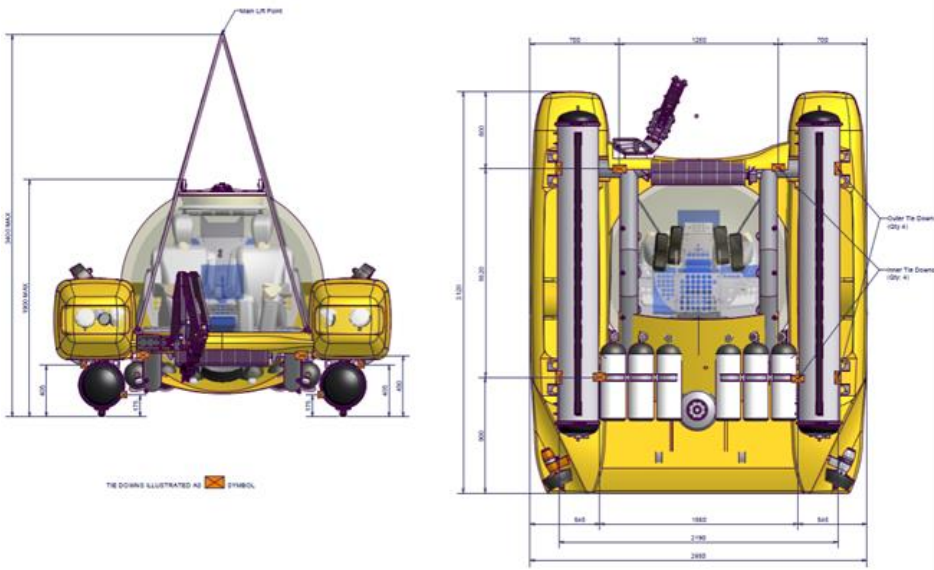
[WWW.GLOBALSUBDIVE.COM](http://WWW.GLOBALSUBDIVE.COM)

ROBERT CARMICHAEL

OWNER/SUBMERSIBLE PILOT

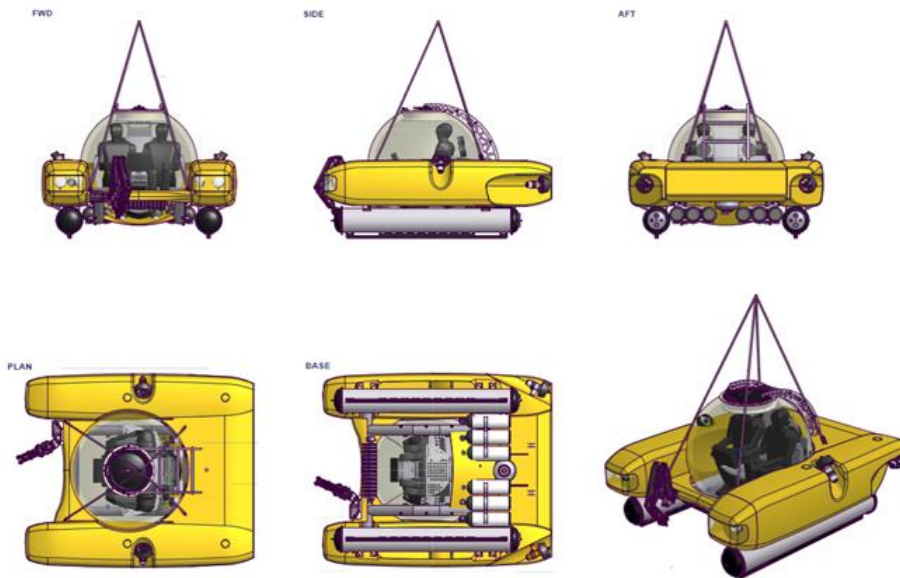
+1 954 214 3727

[ROBERT@GLOBALSUBDIVE.COM](mailto:ROBERT@GLOBALSUBDIVE.COM)



## Support Equipment

- Blueview 2D multibeam sonar with Proviver
- TrackLink 1500 multiple target Integrated USBL Acoustic Tracking and Communication Systems
- Quick battery charge system
- OTS acoustic communications
- 28 ft. Protector RIB surface support vessel with hull mounted transducers integrated communications and tracking with towing capabilities
- 12 ft. Novurania chase boat for crew transfers, launch and recovery
- YP45 compressor and boost pump for air and oxygen
- HP air and oxygen banks
- 3 person support & maintenance crew



**TRITON 2- PERSON 1000 FT SUBMERSIBLE**  
[WWW.GLOBALSUBDIVE.COM](http://WWW.GLOBALSUBDIVE.COM)